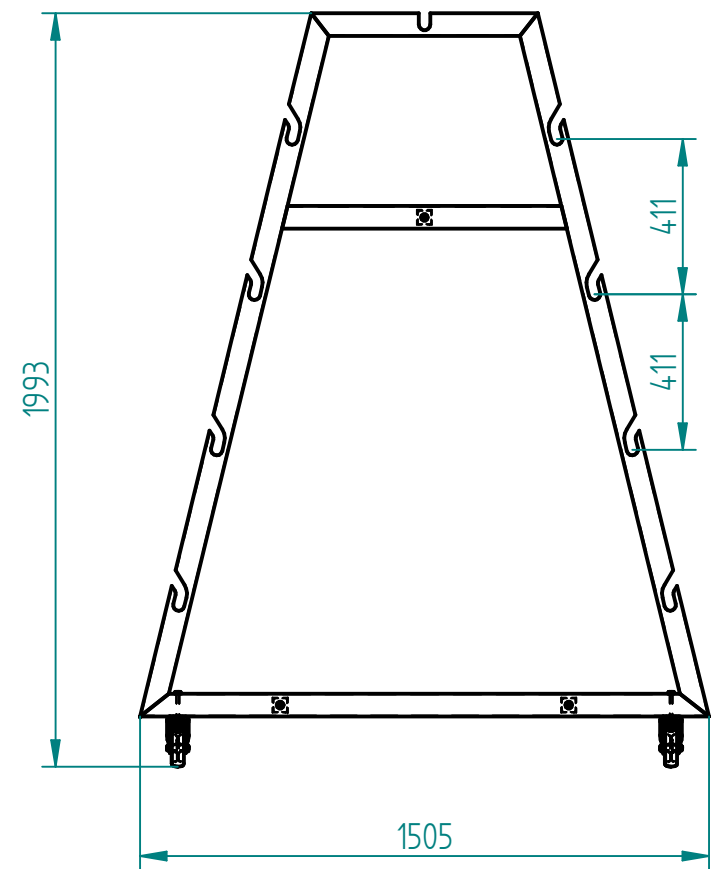
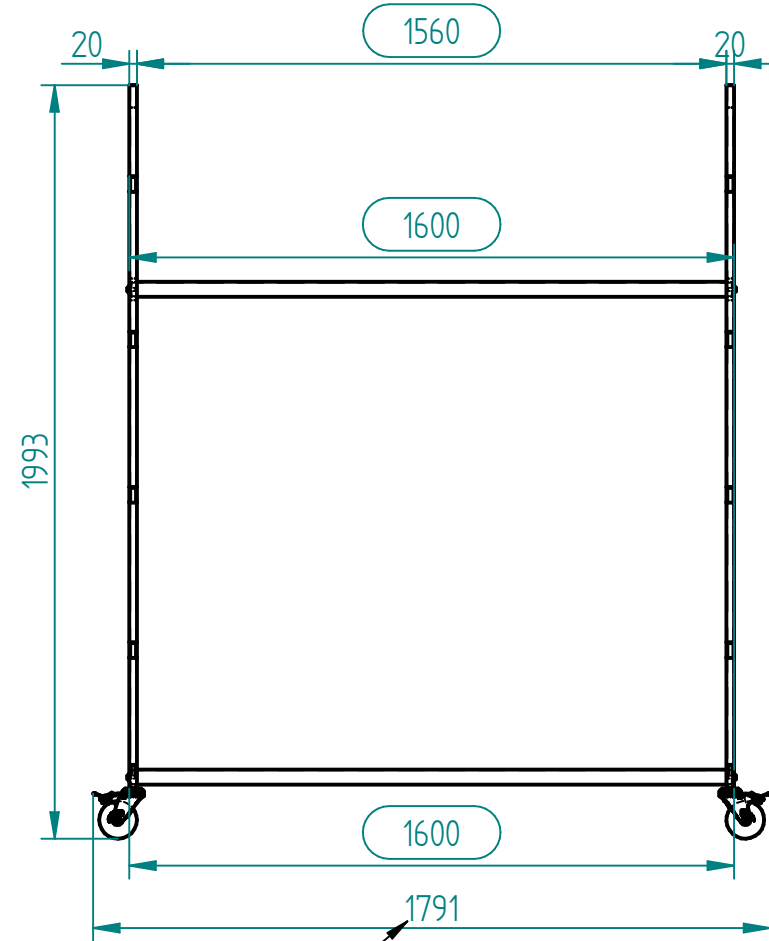
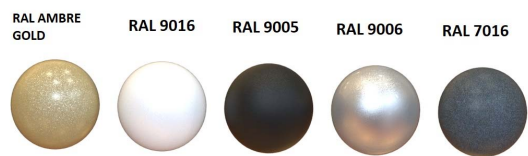
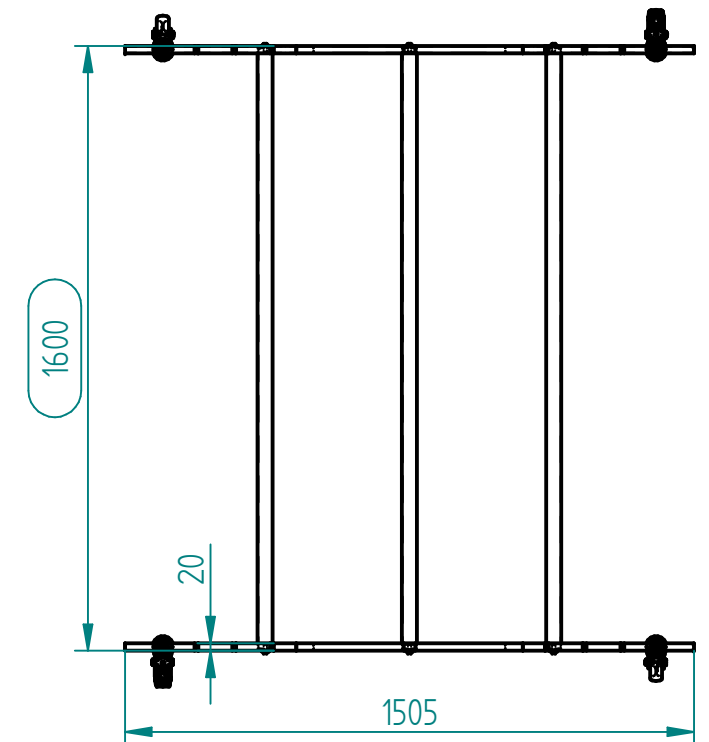




THE ROLL BAR IS NOT INCLUDED FOR THE PRICE LISTED TO BE ORDERED SEPARATELY



MAX. DIMENSION WHEN THE WHEELS ARE FACING OUTSIDE



Note:
 - in the listed prices included only metal parts !!!!
 - industrial packaging on a pallet
 - THE STAND IS DISASSEMBLY!

Date : 6.6.2024.


PROIZVODNJA METALNE I TEKSTILNE GALANTERIJE
 Hrv. branitelja 230, Stari Slatinik
 35253 Brodski Stupnik
 tel./fax: +385 (35) 426-878
 tel.: +385 (35) 426-877
 mob.: 098/340-576
 e-mail: medex@hi.htnet.hr
 www.medex.hr
 OIB: 47219816385 • MB/JMBG: 1403974302137
 IBAN : HR5823400091150162523
 SWIFT: PBZGHR2X • VAT.NO.: HR47219816385

KOLICA FABRIC								
ART.	ŠIFRA	NAZIV PROIZVODA	□ x Š x V	KG/KOM.	RAL	€pcs.	pcs./coli	€bez PDV-a
		KOLICA FABRIC	1600 x 1505 x 1993	42			1 / 1	
		TOTAL (kn)						